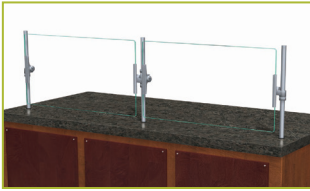


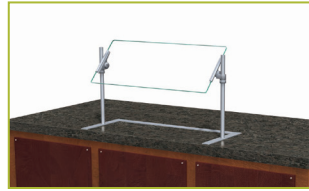
QUICK REFERENCE GUIDE



DECO-900



DECO-901



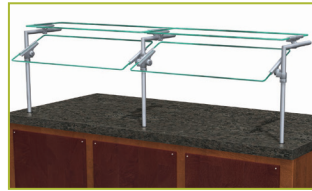
DECO-902



DECO-932



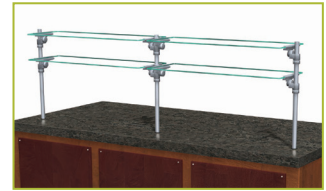
DECO-935



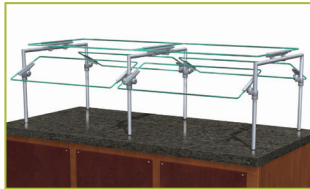
DECO-950



DECO-953



DECO-965



DECO-970

GENERAL INFORMATION

Project Name: _____
 Item: _____
 Quantity: _____
 Model: _____ DECO-900
 Length: _____

STANDARD NSF LISTED FINISH OPTIONS

- | | |
|---------------------------------------------|------------------------------------------------|
| <input type="checkbox"/> Stainless Steel #4 | <input type="checkbox"/> Chrome |
| <input type="checkbox"/> Gloss Black | <input type="checkbox"/> Wrinkle Black |
| <input type="checkbox"/> Smoked Copper | <input type="checkbox"/> Polished Brass Finish |
| <input type="checkbox"/> Other _____ | |

GLASS THICKNESS

- 1/4" Tempered Glass (not for shelves)
Centerline Max 54"
- 3/8" Tempered Glass (for shelf or span more than 54")
Centerline Max 66"
- 1/2" Tempered Glass (for shelf or span more than 66")
Centerline Max 72"

GLASS CORNERS

- 1" Radius Corner (standard)
- Square Corners

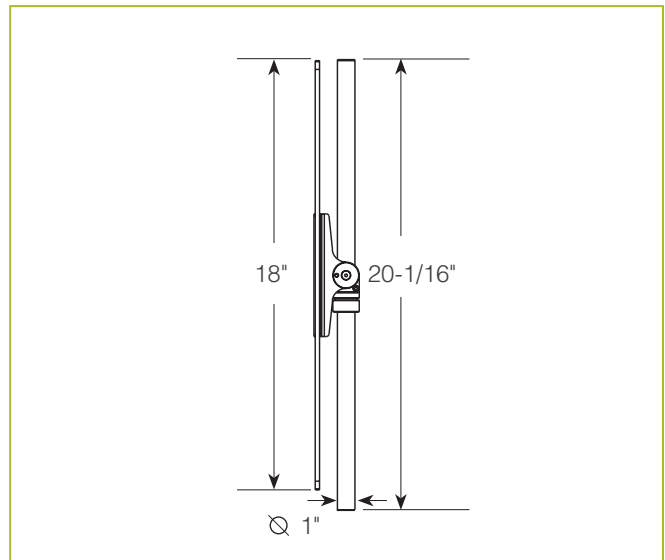
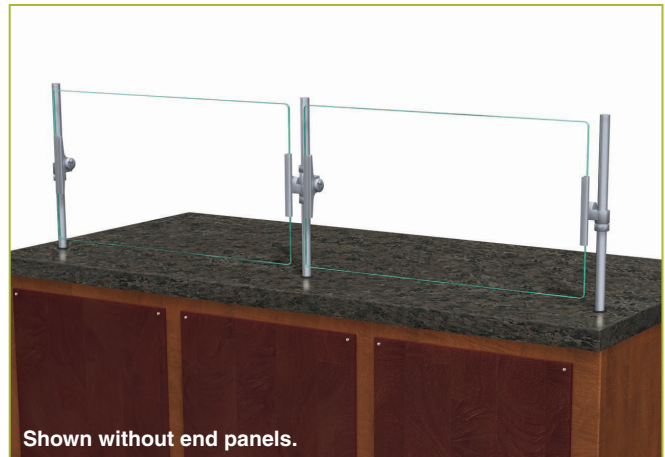
INSTALLATION OPTIONS

Above-Counter: Stainless Steel Counter
Under-Counter: Stainless Steel Counter
 (Requires Under-Counter Reinforcement & Access)

Above-Counter: Millwork Counter
Under-Counter: Millwork Counter

See Installation Page for More Details.

DECO-900 Operator-Serve and/or Partition



To meet NSF guidelines, end panels are included on all BSI quotations unless specifically excluded. (See End Panel Page for More Details.)

- DECO Above-Counter Flange
- SSU3-H: Heavy-Duty Flange
- SSU3-N: Narrow Flange
- SSU5-H: Heavy-Duty Flange
- SSU5-N: Narrow Flange
- DECO Above-Counter Flange
- MWU3: Narrow Flange
- MWU4: Compression Installation (not recommended for solid surfaces)
- MWU5: Heavy-Duty Flange

* Approval Drawings Required



GENERAL INFORMATION

Project Name: _____
Item: _____
Quantity: _____
Model: DECO-901 _____
Length: _____

STANDARD NSF LISTED FINISH OPTIONS

- | | |
|---------------------------------------------|------------------------------------------------|
| <input type="checkbox"/> Stainless Steel #4 | <input type="checkbox"/> Chrome |
| <input type="checkbox"/> Gloss Black | <input type="checkbox"/> Wrinkle Black |
| <input type="checkbox"/> Smoked Copper | <input type="checkbox"/> Polished Brass Finish |
| <input type="checkbox"/> Other _____ | |

GLASS THICKNESS

- 1/4" Tempered Glass (not for shelves)
Centerline Max 54"
- 3/8" Tempered Glass (for shelf or span more than 54")
Centerline Max 66"
- 1/2" Tempered Glass (for shelf or span more than 66")
Centerline Max 72"

GLASS CORNERS

- 1" Radius Corner (standard)
- Square Corners

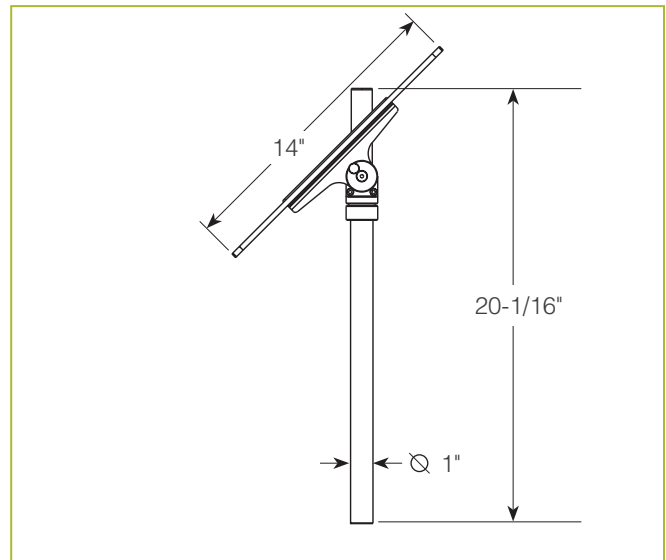
INSTALLATION OPTIONS

Above-Counter: Stainless Steel Counter
Under-Counter: Stainless Steel Counter
 (Requires Under-Counter Reinforcement & Access)

Above-Counter: Millwork Counter
Under-Counter: Millwork Counter

See Installation Page for More Details.

DECO-901 Combo-Serve



To meet NSF guidelines, end panels are included on all BSI quotations unless specifically excluded. (See End Panel Page for More Details.)

- DECO Above-Counter Flange
- SSU3-H: Heavy-Duty Flange
- SSU3-N: Narrow Flange
- SSU5-H: Heavy-Duty Flange
- SSU5-N: Narrow Flange
- DECO Above-Counter Flange
- MWU3: Narrow Flange
- MWU4: Compression Installation (not recommended for solid surfaces)
- MWU5: Heavy-Duty Flange

* Approval Drawings Required



GENERAL INFORMATION

Project Name: _____
Item: _____
Quantity: _____
Model: DECO-902 _____
Length: _____

STANDARD NSF LISTED FINISH OPTIONS

- | | |
|---------------------------------------------|------------------------------------------------|
| <input type="checkbox"/> Stainless Steel #4 | <input type="checkbox"/> Chrome |
| <input type="checkbox"/> Gloss Black | <input type="checkbox"/> Wrinkle Black |
| <input type="checkbox"/> Smoked Copper | <input type="checkbox"/> Polished Brass Finish |
| <input type="checkbox"/> Other _____ | |

GLASS THICKNESS

- 1/4" Tempered Glass (not for shelves)
Centerline Max 54"
- 3/8" Tempered Glass (for shelf or span more than 54")
Centerline Max 66"
- 1/2" Tempered Glass (for shelf or span more than 66")
Centerline Max 72"

GLASS CORNERS

- 1" Radius Corner (standard)
- Square Corners

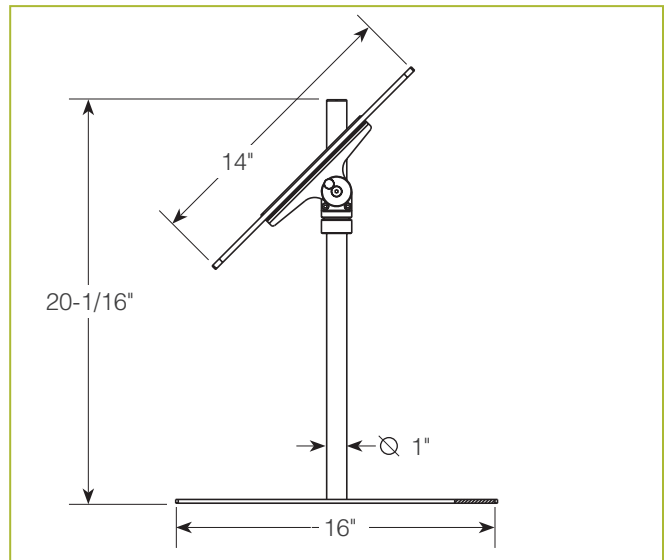
For overall dimension greater than 47" please call the BSI Factory.

DECO-902

Portable Market Guard



Shown without end panels.



To meet NSF guidelines, end panels are included on all BSI quotations unless specifically excluded. (See End Panel Page for More Details.)

* Approval Drawings Required



01.25

GENERAL INFORMATION

Project Name: _____
 Item: _____
 Quantity: _____
 Model: DECO-932
 Length: _____

STANDARD NSF LISTED FINISH OPTIONS

- Stainless Steel #4
- Chrome
- Gloss Black
- Wrinkle Black
- Smoked Copper
- Polished Brass Finish
- Other _____

LIGHT AND WARMER OPTIONS

- Stealth Slimline 2580 LED Light
- Stealth 790 Warmer
- Stealth 705 Heat and Light Combo Unit
- Stealth 500 Heat/Light/Heat Combo Unit

GLASS THICKNESS

- 1/4" Tempered Glass (not for shelves)
Centerline Max 54"
- 3/8" Tempered Glass (for shelf or span more than 54")
Centerline Max 66"
- 1/2" Tempered Glass (for shelf or span more than 66")
Centerline Max 72"

GLASS CORNERS

- 1" Radius Corner (standard)
- Square Corners

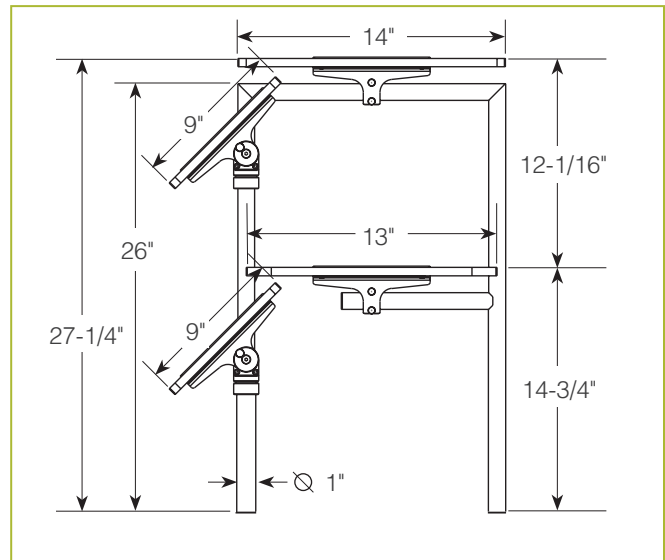
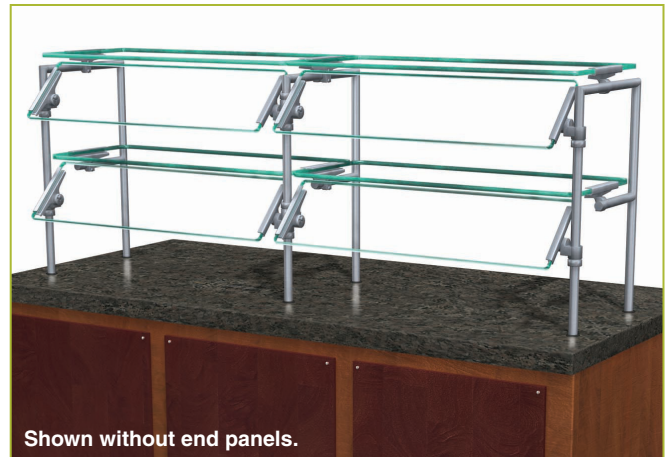
INSTALLATION OPTIONS

Above-Counter: Stainless Steel Counter
Under-Counter: Stainless Steel Counter
 (Requires Under-Counter Reinforcement & Access)

Above-Counter: Millwork Counter
Under-Counter: Millwork Counter

See Installation Page for More Details.

DECO-932 Two-Tier Display Case



To meet NSF guidelines, end panels are included on all BSI quotations unless specifically excluded. (See End Panel Page for More Details.)

* Approval Drawings Required

GENERAL INFORMATION

Project Name: _____

STANDARD SPECIFICATIONS

- 1" Diameter Stainless Steel Posts
- 3/8" Clear Tempered Front Glass Panels (max. span 66")
- 3/8" Clear Tempered Glass Top Shelf (max. span 66")
- Max Center Line Post-to-Post Span = 78"
- 1/4" Clear Tempered Glass End Panels
- 1" Radius Glass Corners

OPTIONS AND ACCESSORIES

NSF-LISTED FINISH OPTIONS

- Brushed Stainless #4
- Stainless Steel #8 (Chrome)
- Gloss Black
- Matte Black
- Statuary Bronze
- Wrinkle Black
- Prismatic Brass
- Smoked Copper
- Other _____

GLASS FINISHES

- Clear (Standard)
- Low-Iron
- Frosted
- Frosted Logo/Imprint
- Pattern

GLASS CORNERS

- 1" Radius Corners (Standard)
- Square Corners

GLASS PANEL OPTIONS

- 1/4" Glass (max. span 54")
- 3/8" Glass (max. span 66") (Standard)
- 1/2" Glass (max. span 72")

LIGHT & WARMER OPTIONS

All BSI light units are UL Listed. See light spec sheets for detailed information. Also available with other manufacturers' light units. Contact BSI for details.

- | Model # | Description |
|-------------------------------|-----------------------------------|
| <input type="checkbox"/> 2580 | Stealth Slimline LED Light |
| <input type="checkbox"/> 705 | Stealth Light & Warmer Combo Unit |

- | Model # | Description |
|------------------------------|------------------------------------|
| <input type="checkbox"/> 790 | Stealth Warmer |
| <input type="checkbox"/> 500 | Stealth Heat/Light/Heat Combo Unit |

MOUNTING STYLES (SELECT ONE)

See installation page for more details.

- Above Counter:** Stainless Steel Counter
Under Counter: Stainless Steel Counter
 (Requires Under-Counter Reinforcement & Access)
Above Counter: Millwork Counter
Under Counter: Millwork Counter

- SS1: EZ Mount 2" x 8" Flange
- SSU3-H: Heavy-Duty Flange
- SSU5-H: Heavy-Duty Flange
- MW1: Heavy-Duty Flange
- MWU3: Narrow Flange
- MWU4: Compression Installation (not recommended for solid surfaces)
- SSU3-N: Narrow Flange
- SSU5-N: Narrow Flange
- MW2: Narrow Flange
- MWU5: Heavy-Duty Flange

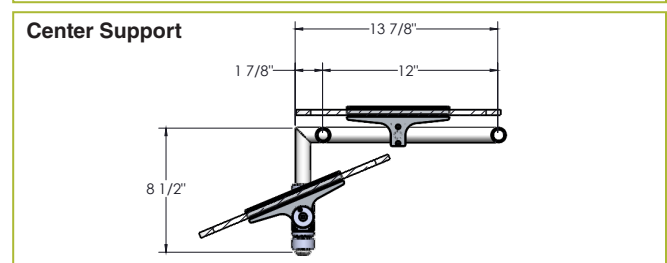
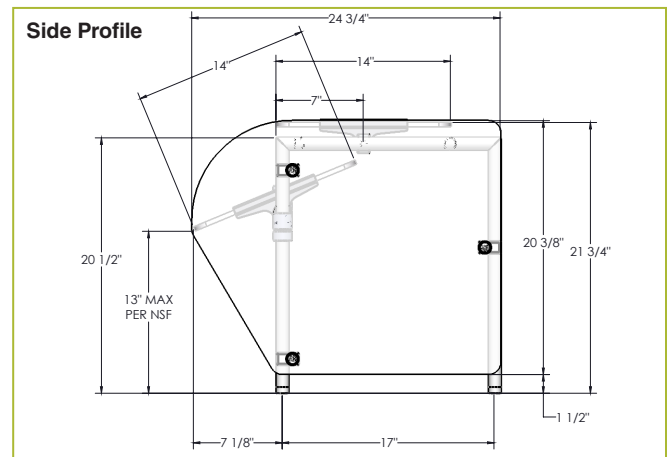
Approval Drawings Required
 Specifications subject to change without notice.

DECO-935 ClearSpan

Self Serve w/Top Shelf, U-Shaped End Posts w/ Shortened Center Post



To meet NSF guidelines, end panels are included on all BSI quotations unless specifically excluded. (See End Panel Page for More Details.)



GENERAL INFORMATION

Project Name: _____
Item: _____
Quantity: _____
Model: DECO-950 _____
Length: _____

STANDARD NSF LISTED FINISH OPTIONS

- | | |
|---------------------------------------------|------------------------------------------------|
| <input type="checkbox"/> Stainless Steel #4 | <input type="checkbox"/> Chrome |
| <input type="checkbox"/> Gloss Black | <input type="checkbox"/> Wrinkle Black |
| <input type="checkbox"/> Smoked Copper | <input type="checkbox"/> Polished Brass Finish |
| <input type="checkbox"/> Other _____ | |

LIGHT OPTIONS

- Stealth Slimline 2580 LED Light

For warmers contact BSI factory.

GLASS THICKNESS

- 1/4" Tempered Glass (not for shelves)
Centerline Max 54"
- 3/8" Tempered Glass (for shelf or span more than 54")
Centerline Max 66"
- 1/2" Tempered Glass (for shelf or span more than 66")
Centerline Max 72"

GLASS CORNERS

- 1" Radius Corner (standard) Square Corners

INSTALLATION OPTIONS

Above-Counter: Stainless Steel Counter
Under-Counter: Stainless Steel Counter
 (Requires Under-Counter Reinforcement & Access)

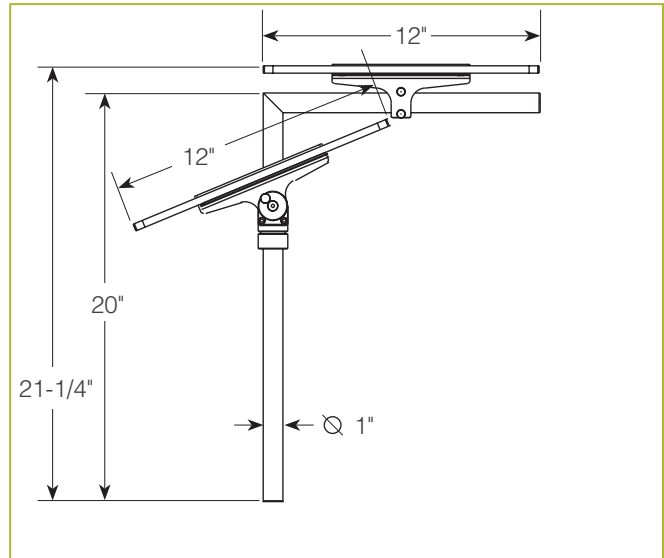
Above-Counter: Millwork Counter
Under-Counter: Millwork Counter

See Installation Page for More Details.

DECO-950 Combo-Serve



Shown without end panels.



To meet NSF guidelines, end panels are included on all BSI quotations unless specifically excluded. (See End Panel Page for More Details.)

- DECO Above-Counter Flange
- SSU3-H: Heavy-Duty Flange
- SSU3-N: Narrow Flange
- SSU5-H: Heavy-Duty Flange
- SSU5-N: Narrow Flange
- DECO Above-Counter Flange
- MWU3: Narrow Flange
- MWU4: Compression Installation (not recommended for solid surfaces)
- MWU5: Heavy-Duty Flange

* Approval Drawings Required



GENERAL INFORMATION

Project Name: _____
Item: _____
Quantity: _____
Model: DECO-965 _____
Length: _____

STANDARD NSF LISTED FINISH OPTIONS

- | | |
|---------------------------------------------|------------------------------------------------|
| <input type="checkbox"/> Stainless Steel #4 | <input type="checkbox"/> Chrome |
| <input type="checkbox"/> Gloss Black | <input type="checkbox"/> Wrinkle Black |
| <input type="checkbox"/> Smoked Copper | <input type="checkbox"/> Polished Brass Finish |
| <input type="checkbox"/> Other _____ | |

GLASS THICKNESS

- 1/4" Tempered Glass (not for shelves)
Centerline Max 54"
- 3/8" Tempered Glass (for shelf or span more than 54")
Centerline Max 66"
- 1/2" Tempered Glass (for shelf or span more than 66")
Centerline Max 72"

GLASS CORNERS

- 1" Radius Corner (standard)
- Square Corners

INSTALLATION OPTIONS

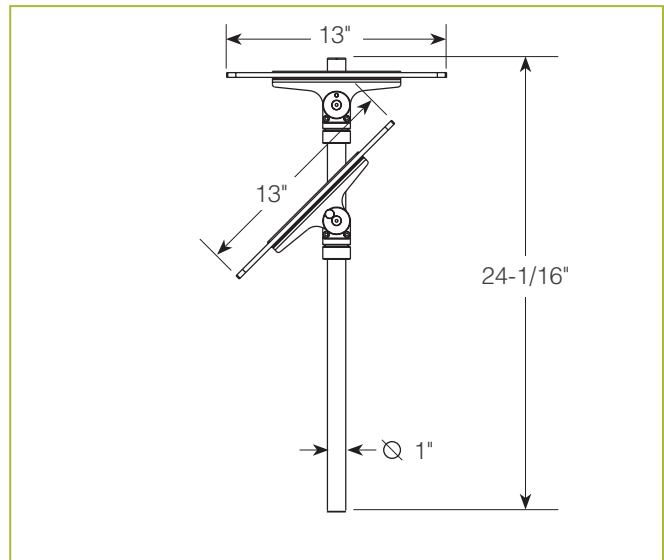
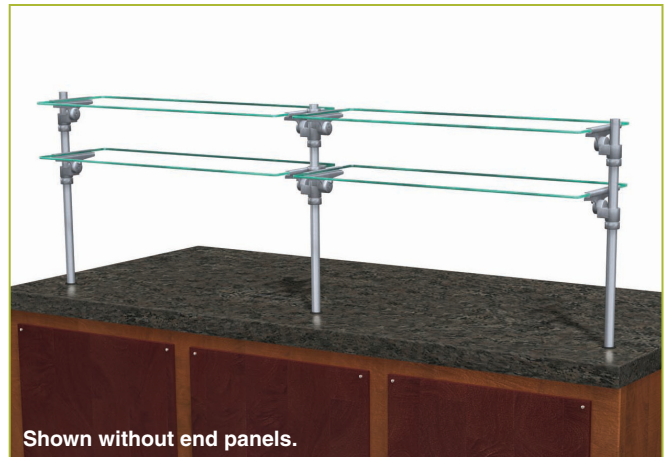
Above-Counter: Stainless Steel Counter
Under-Counter: Stainless Steel Counter
 (Requires Under-Counter Reinforcement & Access)

Above-Counter: Millwork Counter
Under-Counter: Millwork Counter

See Installation Page for More Details.

DECO-965

Self-Serve w/Top Shelf or Two-Tier Display Shelf



To meet NSF guidelines, end panels are included on all BSI quotations unless specifically excluded. (See End Panel Page for More Details.)

- DECO Above-Counter Flange
- SSU3-H: Heavy-Duty Flange
- SSU3-N: Narrow Flange
- SSU5-H: Heavy-Duty Flange
- SSU5-N: Narrow Flange
- DECO Above-Counter Flange
- MWU3: Narrow Flange
- MWU4: Compression Installation (not recommended for solid surfaces)
- MWU5: Heavy-Duty Flange

* Approval Drawings Required

Specifications subject to change without notice.



01.25

GENERAL INFORMATION

Project Name: _____
 Item: _____
 Quantity: _____
 Model: DECO-970 _____
 Length: _____

STANDARD NSF LISTED FINISH OPTIONS

- Stainless Steel #4
- Chrome
- Gloss Black
- Wrinkle Black
- Smoked Copper
- Polished Brass Finish
- Other _____

LIGHT AND WARMER OPTIONS

- Stealth Slimline 2580 LED Light
- Stealth 790 Warmer
- Stealth 705 Heat and Light Combo Unit
- Stealth 500 Heat/Light/Heat Combo Unit

GLASS THICKNESS

- 1/4" Tempered Glass (not for shelves)
Centerline Max 54"
- 3/8" Tempered Glass (for shelf or span more than 54")
Centerline Max 66"
- 1/2" Tempered Glass (for shelf or span more than 66")
Centerline Max 72"

GLASS CORNERS

- 1" Radius Corner (standard)
- Square Corners

INSTALLATION OPTIONS

Above-Counter: Stainless Steel Counter
Under-Counter: Stainless Steel Counter
 (Requires Under-Counter Reinforcement & Access)

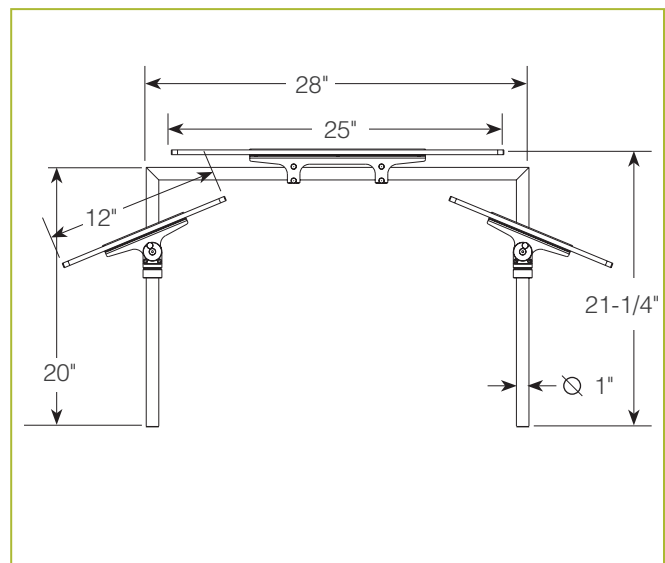
Above-Counter: Millwork Counter
Under-Counter: Millwork Counter

See Installation Page for More Details.

- DECO Above-Counter Flange
- SSU3-H: Heavy-Duty Flange
- SSU3-N: Narrow Flange
- SSU5-H: Heavy-Duty Flange
- SSU5-N: Narrow Flange
- DECO Above-Counter Flange
- MWU3: Narrow Flange
- MWU4: Compression Installation (not recommended for solid surfaces)
- MWU5: Heavy-Duty Flange

DECO-970

Double-Sided w/Top Shelf



To meet NSF guidelines, end panels are included on all BSI quotations unless specifically excluded. (See End Panel Page for More Details.)

* Approval Drawings Required

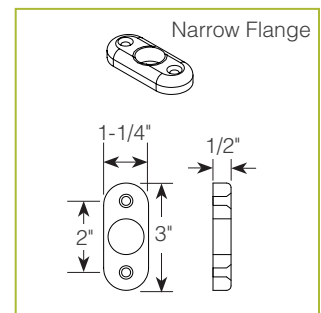
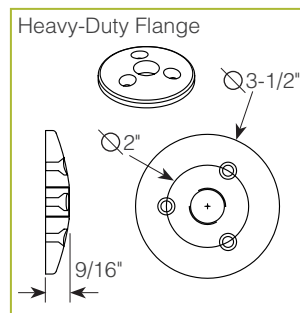
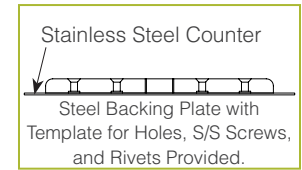
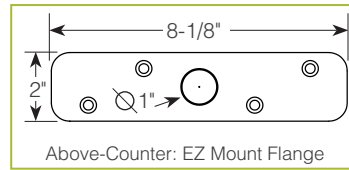
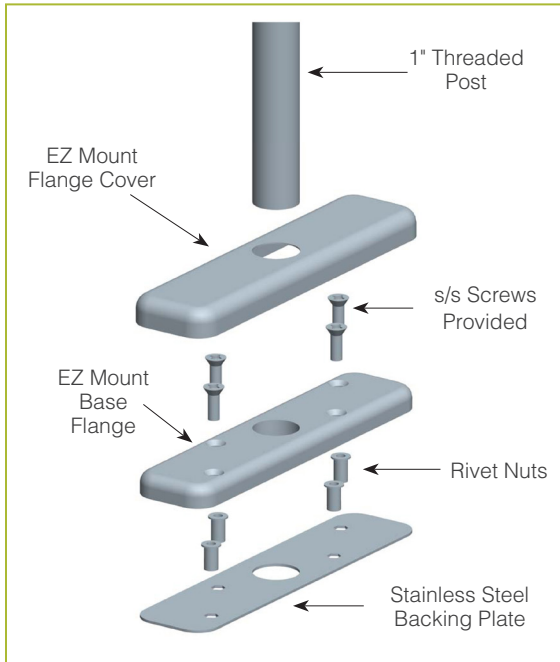
Specifications subject to change without notice.



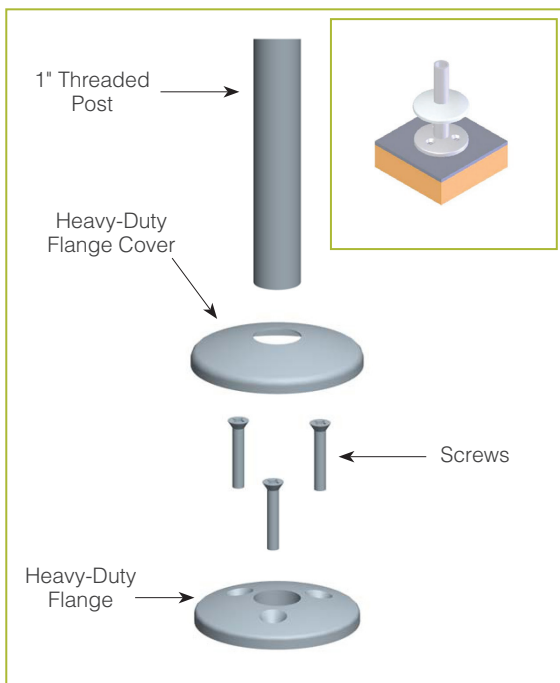
01.25

ABOVE-COUNTER INSTALLATION FOR 1" DECO POSTS

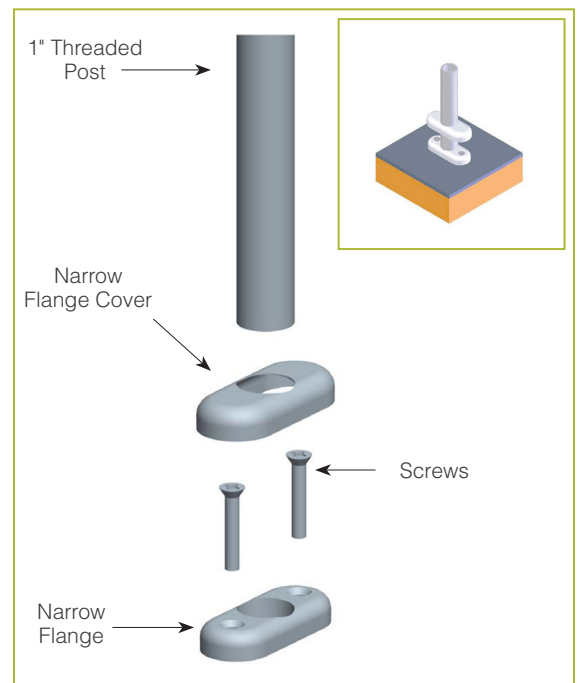
For Stainless Steel Counter
SS1: EZ Mount 2" x 8" Flange



For Millwork Counter
MW1: Heavy-Duty Flange

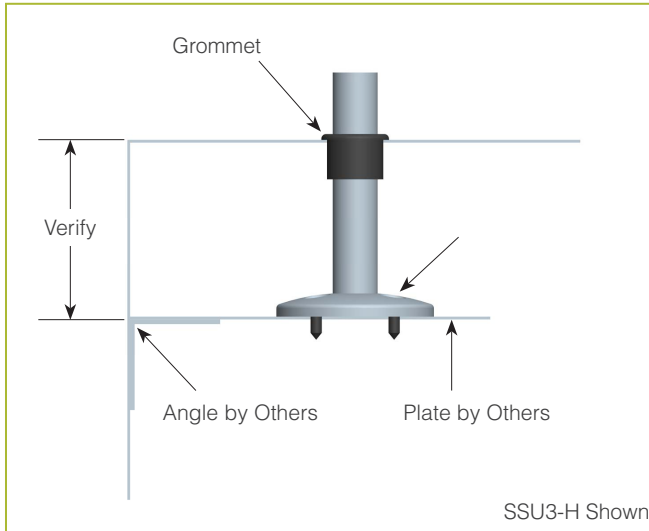


For Millwork Counter
MW2: Narrow Flange

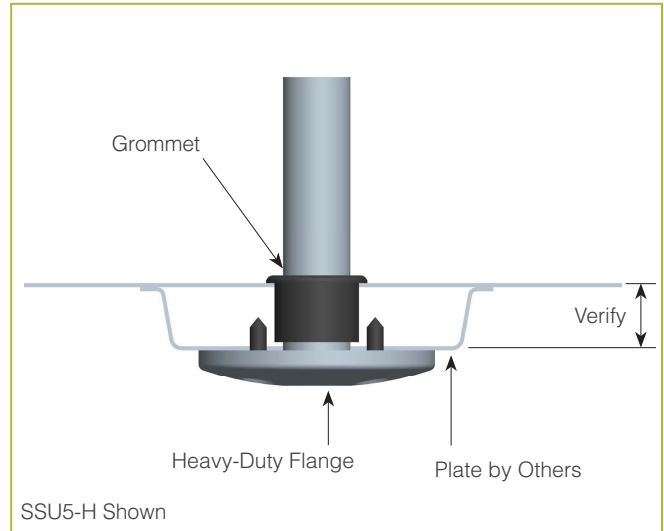


UNDER-COUNTER INSTALLATION FOR 1" DECO POSTS

For Stainless Steel Counter
 (requires under-counter reinforcement and access)
SSU3: Heavy-Duty Flange (-H) or Narrow Flange (-N)

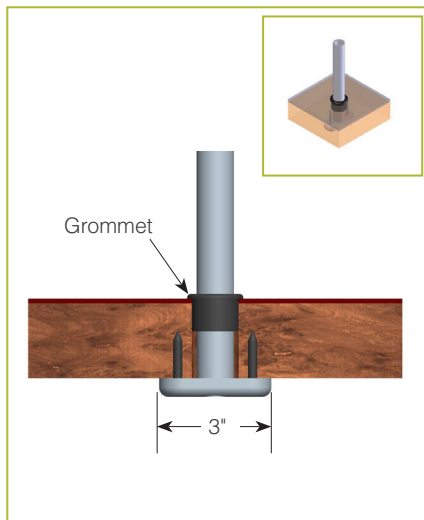


For Stainless Steel Counter
 (requires under-counter reinforcement and access)
SSU5: Heavy-Duty Flange (-H) or Narrow Flange (-N)

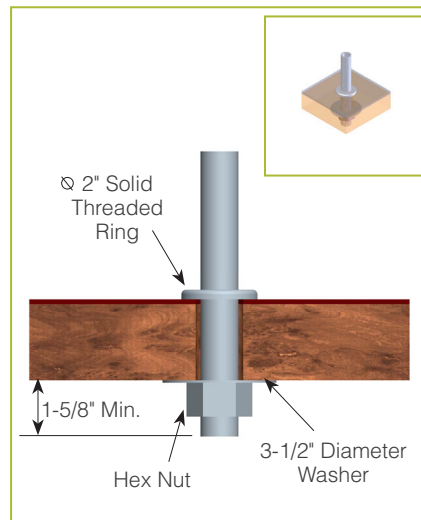


Verify Counter Thickness or Under-Counter Installation Depth in Inches

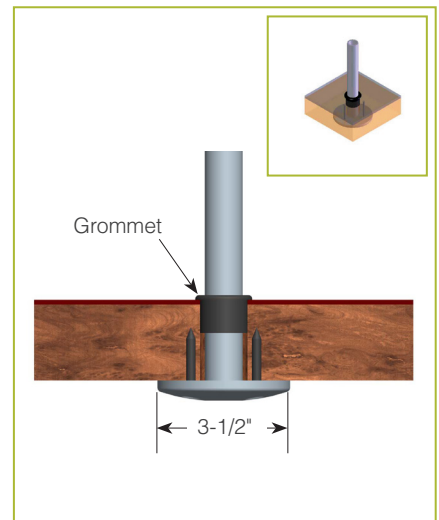
For Millwork Counter
MWU3: Narrow Flange



For Millwork Counter
MWU4: Compression Installation
 (not recommended for solid surfaces)



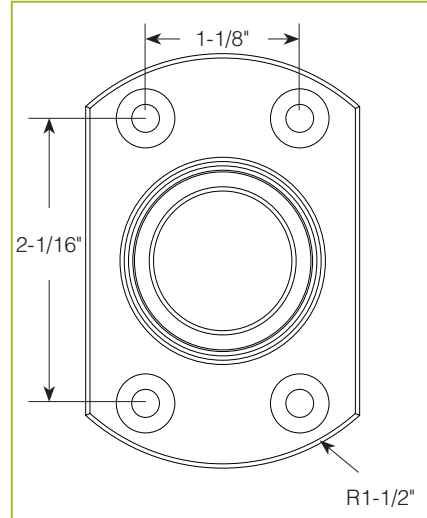
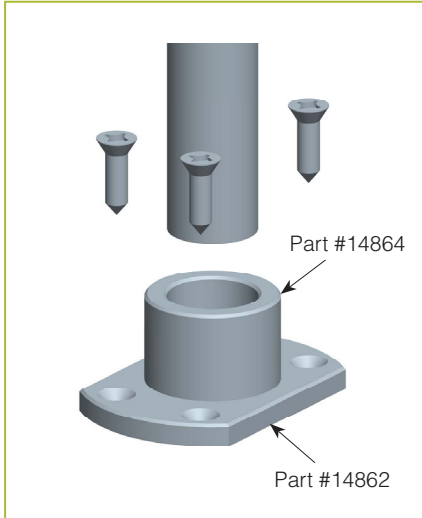
For Millwork Counter
MWU5: Heavy-Duty Flange



Verify Counter Thickness or Under-Counter Installation Depth in Inches

ABOVE-COUNTER INSTALLATION FOR 1" DECO POSTS

For Millwork or Stainless Steel Counter
Surface Installation 14864 & 14862:



END PANELS

To meet NSF guidelines, end panels are included on all BSI quotations unless specifically excluded. The following section shows size and location of glass end panels for select DECO models. For end panel information relating to additional models please contact the BSI factory at 1.800.622.9595.

